

CHL

CHL

4-5 ton
BALANCE WEIGHT TYPE
FORKLIFT

4-5 ton
BALANCE WEIGHT TYPE
FORKLIFT



Manufacturer: **ANHUI HELI CO., LTD.**
NO. 668 Fangxing Street, Economical Development Zone,
Hefei, P.R. China
TEL: 86-551-63639458
FAX: 86-551-63639966
WEBSITE: [HTTP://WWW.CHLFORLIFT.COM](http://www.chlforlift.com)
E-MAIL: CHL@CHLFORLIFT.COM

AUTHORIZED DEALER

* Details of specifications and equipment are based on information available at the time of printing and may change without notice.

© 2013 heli copyright

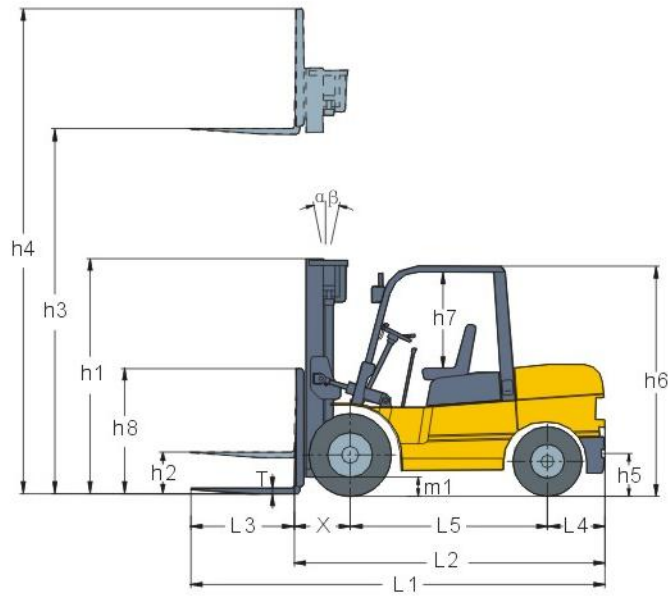
Catalog No. 2013.10 HELI Print

Reliable forklift

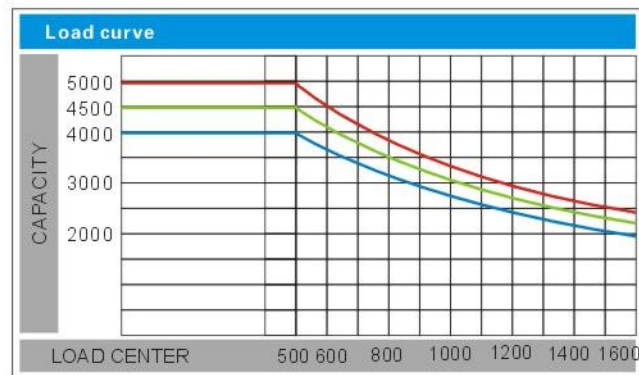
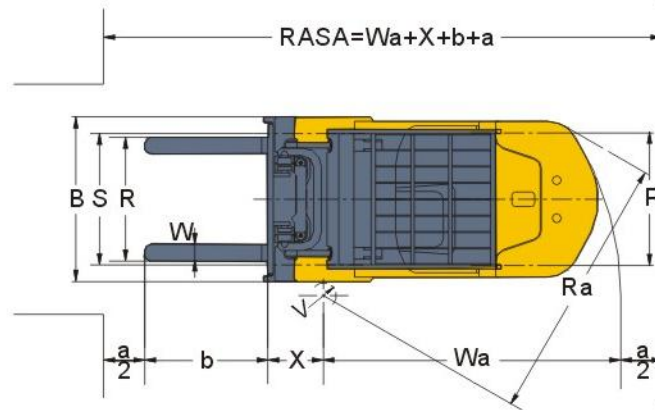
Characteristics																		
1	Manufacturer		ANHUI HEI CO., LTD.															
2	Model		CPCD40-WX5	CPCD45-WX5	CPCD50-WX5	CPCD40-M2	CPCD45-M2	CPCD50-M2	CPQD40-TY5 CPYD40-TY5 CPQYD40-TY5	CPQD45-TY5 CPYD45-TY5 CPQYD45-TY5	CPQD50-TY5 CPYD50-TY5 CPQYD50-TY5	CPQD40-TY6 CPYD40-TY6 CPQYD40-TY6	CPQD45-TY6 CPYD45-TY6 CPQYD45-TY6	CPQD50-TY6 CPYD50-TY6 CPQYD50-TY6	CPC40-WX5	CPC45-WX5	CPC50-WX5	
3	Power unit		Diesel					Gasoline/LPG(single/dual fuel)					Diesel					
4	Rated Capacity	kg	4000	4500	5000	4000	4500	5000	4000	4500	5000	4000	4500	5000	4000	4500	5000	
5	Load Center	mm	500															
6	Operation		Seated															
Dimensions																		
7	Overall max.lifting height (with backrest)	h4	mm		4250													
8	Standard lifting height	h3	mm		3000													
9	Height mast retracted(upright)	h1	mm		2275													
10	Free lift height	h2	mm		150													
11	Backrest height(from upper face of forks)	h8	mm		1250													
12	Overhead Guard clearance(from face of seat)	h7	mm		1000													
13	Overall height(overhead guard)	h6	mm		2270													
14	Overall length(with forks/without forks)	L1/L2	mm	4145/3075	4165/3095	4209/3139	4145/3075	4165/3095	4209/3139	4145/3075	4165/3095	4209/3139	4145/3075	4165/3095	4209/3139	4145/3075	4165/3095	4209/3139
15	Front overhang	X	mm		555													
16	Rear overhang	L4	mm	520	540	584	520	540	584	520	540	584	520	540	584	520	540	584
17	Wheel base	L5	mm		2000													
18	Coupler height	h5	mm		300													
19	Min.ground clearance under mast	m1	mm		175													
20	Overall width	B	mm		1480													
21	Lateral fork adjustment outside of fork(Max./Min.)	R	mm		1340/300													
22	Tread(front/rear)	S/P	mm		1180/1190													
23	Outside turning radius	Wa	mm	2720	2740	2780	2720	2740	2780	2720	2740	2780	2720	2740	2780	2720	2740	2800
24	Inside turning radius	V	mm		220													
25	Min.intersecting aisle	Ra	mm	2480	2500	2550	2480	2500	2550	2480	2500	2550	2480	2500	2480	2500	2550	
26	Tilting angles(forward/backward)	α / β	6° /12°															
27	Fork dimensions(axbxc)		mm		1070×150×50													
Driving Performance																		
28	Max.Traveling speeds(With/Without load)	km/h	24/25			25/26			25/26			25/26			18/19			
29	Lifting Speeds(W/W L)	mm/s	435/460			460/520			460/520			460/480						
30	Lowering Speeds(W/W L)	mm/s	<600/>300															
31	Max.Draw-bar pull(W/W L)	kN	24/16			22/16			22/16			30/15						
32	Max.Gradeability(W/W L)	%	20/20	19/20	17/20	18/20	17/20	16/20	20/20			20/20						
Weights																		
33	Service Mass	kg	6400	6700	7000	6400	6700	7000	6400	6700	7000	6400	6700	7000	6100	6400	6700	
34	Load Wheel with load(Front/Rear)	kg	8870/1530	9550/1650	10200/1800	8870/1530	9550/1650	10200/1800	8870/1530	9550/1650	10200/1800	8870/1530	9550/1650	10200/1800	8450/1650	9200/1700	9550/1800	
35	Load Wheel without load(Front/Rear)	kg	2760/3640	2680/4020	2600/4400	2760/3640	2680/4020	2600/4400	2760/3640	2680/4020	2600/4400	2760/3640	2680/4020	2600/4400	2600/3500	2550/3850	2550/4150	
Tyres																		
36	Wheels number front/rear(x=driven)		2X/2															
37	Tyre Type		Pneumatic															
38	Tyre size(front)		8.25-15-14PR		300-15-22PR		8.25-15-14PR		300-15-22PR		8.25-15-14PR		300-15-22PR		8.25-15-14PR		300-15-22PR	
39	Tyre size(rear)		7.00-12-12PR															
40	Service Brake		hydraulic type												Mechanical type			
41	Parking Brake		Mechanical manual type															
Drive																		
42	Battery (Voltage/Capacity)	V/Ah	24/80					12/100					24/80					
43	Engine Model		Xichai Ca4110			Mitsubishi S6S-230			GM4.3L (Non-Certified)			GM4.3L (Certified)			Xichai Ca4110			
44	Engine Fuel		Diesel			Diesel			Gasoline/LPG(single/dual fuel)			Gasoline/LPG(single/dual fuel)			Diesel			
45	Engine Rated Output	KW/rpm	61/2200			52/2300			70/2300 , 76.6/2300			70/2300 , 76.6/2300			61/2200			
46	Engine Rated Torque	Nm/rpm	305/1400~1600			248/1700			287/1700 , 323.5/1700			287/1700 , 323.5/1700			305/1400~1600			
47	Engine Number of Cylinder		4- ϕ 110×125			6- ϕ 94×120			6- ϕ 101.6×88.39			6- ϕ 101.6×88.39			4- ϕ 110×125			
48	Engine Displacement	L	4.75			4.966			4.294			4.294			4.75			
49	Fuel Tank Capacity	L	90															
50	Transmission type		hydraulic type												Mechanical type			
51	Transmission Number of Speed Fwd/Bwd		2-1Electro-hydraulic												2-2 Mechanical-Hand			

BALANCE WEIGHT TYPE FORKLIFT

4-5 Ton



RASA: Aisle width with load
a: Clearance
b: Load Length



- CPCD50
/CPYD50
/CPQD50
/CPQYD50
- CPCD45
/CPYD45
/CPQD45
/CPQYD45
- CPCD40
/CPYD40
/CPQD40
/CPQYD40

Note:
 Capacities shown are computed with upright in vertical position, based on a 1000 mm cube load configuration with the center of gravity at the true center of the cube, and standard forks. Truck capacities with upright in forward tilt position will be less. Long forks, and unusually wide or loads may also reduce capacity.

STANDARD EQUIPMENT

- Standard Fork
- Standard Fork Carriage
- M300 2-stage Mast
- Overhead Guard
- Single Air Filter
- Standard Muffler
- Three-spool Control Valve
- Pneumatic Tyres
- Standard Seat
- Tool Kits

OPTIONS

- Cab
- Beacon
- Dual Air Filter
- Heater
- Electric Fan
- Fire Extinguisher
- Fences
- Dual Tyres
- Solid Tire
- Longer Fork
- Windglass
- Rear Working Lights
- Non-standard Fork Carriage
- Four/Five-spool Control Valve
- Vertical Exhaust
- Spark Arrester Muffler

ATTACHMENT SELECTION

- Sideshifter
- Fork Positioner
- Paper Roll Clamp
- Push/Pull
- Carton Clamp
- Rotator
- Bale Clamp
- Block Clamp
- Tyre Clamp
- Drum Clamp
- Fork Clamp
- Turnaload
- Single Double Pallet Handlers
- Double Wide Sideshifters
- Load Stabilizer
- Tipping Multi-Purpose Clamp

DUPLEX MAST

Mast model	Max. Lifting height	Load capacity(Load center 500mm)			Service Mass			Height mast retracted (Upright) (mm)	Tilting angles (Forward/backward)
		CPCD40 CPQ(Y)40	CPCD45 CPQ(Y)45	CPCD50 CPQ(Y)50	CPCD40 CPQ(Y)40	CPCD45 CPQ(Y)45	CPCD50 CPQ(Y)50		
M260	2600	4000	4500	5000	6370	6670	6970	2075	6° /12°
M270	2700	4000	4500	5000	6380	6680	6980	2125	6° /12°
M300	3000	4000	4500	5000	6400	6700	7000	2275	6° /12°
M330	3300	4000	4500	5000	6420	6720	7020	2425	6° /12°
M350	3500	4000	4500	5000	6440	6740	7040	2525	6° /12°
M370	3700	4000	4500	5000	6450	6750	7050	2625	6° /12°
M375	3750	4000	4500	5000	6460	6760	7060	2650	6° /12°
M400	4000	4000	4500	5000	6510	6810	7110	2825	6° /12°
M425	4250	3800 *4000	4300 *4500	4700 *5000	6530	6830	7130	2950	6° /6°
M450	4500	3700 *4000	4200 *4500	4500 *5000	6550	6850	7150	3050	6° /6°
M475	4750	3500 *3700	4000 *4200	4250 *4600	6580	6880	7170	3200	6° /6°
M500	5000	3200 *3400	3600 *4000	4000 *4200	6590	6890	7190	3325	6° /6°
M550	5500	*3200	*3600	*3800	6640	6940	7240	3575	3° /6°
M600	6000	*2900	*3200	*3600	6670	6970	7270	3825	3° /6°

NOTE: (1) Rated capacity with (*) : shows capacity with front dual tires.
 (2) M300 is Standard Equipment.

DUPLEX FULL FREE MAST

Mast model	Max. Lifting height	Load capacity(Load center 500mm)			Service Mass			Height mast retracted (Upright) (mm)	Free Lift (with Backrest)	Tilting angles (Forward/backward)
		CPCD40 CPQ(Y)40	CPCD45 CPQ(Y)45	CPCD50 CPQ(Y)50	CPCD40 CPQ(Y)40	CPCD45 CPQ(Y)45	CPCD50 CPQ(Y)50			
ZM261	2610	4000	4500	5000	6510	6810	7110	2180	905	6° /12°
ZM271	2710	4000	4500	5000	6520	6820	7120	2230	955	6° /12°
ZM300	3000	4000	4500	5000	6550	6850	7150	2375	1100	6° /12°
ZM330	3300	4000	4500	5000	6580	6880	7180	2525	1250	6° /12°
ZM350	3500	4000	4500	5000	6600	6900	7200	2625	1350	6° /12°
ZM375	3750	4000	4500	5000	6630	6930	7230	2750	1475	6° /12°
ZM400	4000	4000	4500	5000	6680	6980	7280	2875	1600	6° /12°
ZM450	4500	3700 *4000	4200 *4500	4500 *5000	6720	7020	7320	3125	1850	6° /6°
ZM500	5000	3200 *3400	3600 *4000	4000 *4200	6770	7070	7370	3375	2100	6° /6°
ZM550	5500	*3200	*3600	*3800	6800	7100	7400	3625	2350	3° /6°
ZM600	6000	*2900	*3200	*3600	6830	7130	7430	3875	2600	3° /6°

NOTE: (1) Rated capacity with (*) : shows capacity with front dual tires.
 (2) The free height of full free 2-stage mast without backrest+380mm.

TRIPLEX FULL FREE MAST

Mast model	Max. Lifting height	Load capacity(Load center 500mm)			Service Mass			Height mast retracted (Upright) (mm)	Free Lift (with Backrest)	Tilting angles (Forward/backward)
		CPCD40 CPQ(Y)40	CPCD45 CPQ(Y)45	CPCD50 CPQ(Y)50	CPCD40 CPQ(Y)40	CPCD45 CPQ(Y)45	CPCD50 CPQ(Y)50			
ZSM392	3920	3800 *4000	4350 *4500	4800 *5000	6840	7140	7440	2250	955	6° /6°
ZSM435	4350	3500 *3800	4100 *4300	4400 *4800	6860	7160	7460	2395	1100	6° /6°
ZSM450	4500	3350 *3500	4000 *4200	4300 *4600	6880	7180	7480	2445	1150	6° /6°
ZSM470	4700	3250 *3400	3800 *4000	4050 *4200	6900	7200	7500	2515	1215	6° /6°
ZSM480	4800	3150 *3300	3700 *3900	3950 *4100	6910	7210	7510	2545	1250	6° /6°
ZSM500	5000	3050 *3200	3400 *3700	3800 *4000	6930	7230	7530	2645	1350	6° /6°
ZSM540	5400	2750 *3000	3000 *3400	3500 *3600	6970	7270	7570	2760	1450	3° /6°
ZSM600	6000	*2500	*3000	*3400	7050	7350	7650	3010	1715	3° /6°

NOTE: (1) Rated capacity with (*) : shows capacity with front dual tires.
 (2) The free height of full free 3-stage mast without backrest+365mm.